

Control Key for Interchangeable Core Cylinders

Part number: CK-IR6C



The CyberLock control key is used to install or remove a CyberLock interchangeable core. The key's case is made of black nylon-based plastic. The stainless steel tip is permanently attached to the key body.

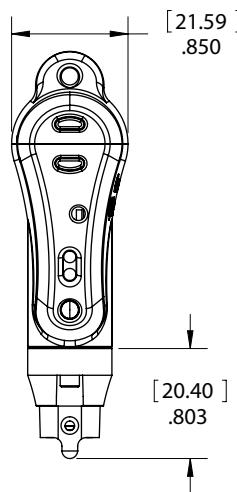
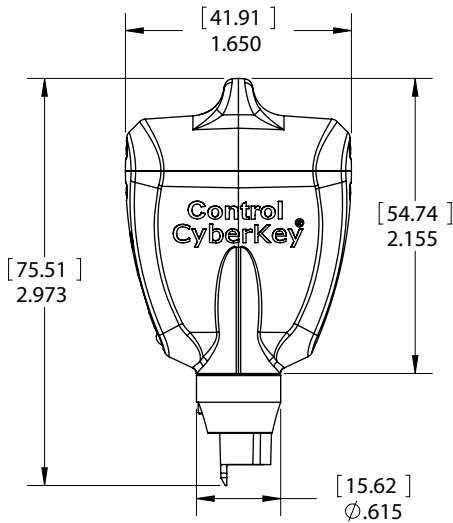
Videx offers two interchangeable core CyberLocks:

- Small Format Interchangeable Core (CL-SF03)
- Large Format Interchangeable Core (CL-LF01)

The CyberLock control key has all the intelligence and security of a regular CyberKey.

A CyberLock control key can:

- have distinct start and end times, limiting the time that it is active.
- keep a record of exactly who installed or removed the cylinder and the specific date and time this was done.
- be used with more than one CyberLock system, provided it is removed from a database and updated after use.



Notes:
Dimensions in inches (mm)
Drawing not to scale

Common Hardware Specifications

Keys

- A key cannot be duplicated
- A key remembers up to 3900 events with date and time
- A standard user key can access up to 3300 locks
- A key contains the scheduled access days & times
- A key holds the battery power source
- Operating temperature: 32° to 122° F; 0° to 50° C

Locks

- Locks have no keyway to pick
- Locks store the last 1100 events with date and time
- No limit to the number of keys that a lock can support
- Locks are resistant to electrical charge, magnetic force, and torque
- Operating temperature: -40° to 160° F; -40° to 70° C

CyberLock Management Levels

EntryPoint™ is a hardware-only system; no software is required. All keys have 24/7 access to all locks. A complete system requires locks, keys, and a Grand Master.

CyberAudit®-Web Lite is a PC or Macintosh browser-based software program that installs on a desktop computer with basic access control features. A complete system includes locks, keys, communicators, a Grand Master, and Lite software. Intended for systems up to 50 locks and 50 keys.

CyberAudit-Web Professional is a PC or Macintosh browser-based software program that installs on a desktop computer or on a server. Web Professional uses an internet browser to navigate to your hard drive or server within your network. Professional supports a small number of concurrent users when installed on a server. A complete system includes locks, keys, communicators, a Grand Master or CyberLock Programmer, and the Web Professional software. Intended for systems up to 500 locks and 500 keys.

CyberAudit-Web Enterprise is browser-based software installed on an application server. A complete system includes locks, keys, the Enterprise server, one or more communication devices, and a Grand Master. Intended for large or geographically widespread installations.

CyberLock System Features Chart

- Resetting locks and adding or deleting keys to a system is done via the software; no need to install new locks or re-key your facility when a key is lost.
- Programmed schedules provide control over specific days and times that a key will operate.
- Holidays may be set as exceptions to the schedules.
- Key expiration dates are managed automatically by software, either with rolling or fixed expiration dates.

	EntryPoint	Lite	Professional	Enterprise
CyberLocks®	•	•	•	•
CyberKeys®	•	•	•	•
CyberPoints®			•	•
Grand Master Keys	•	•	•	•
IR Encoder		•	•	•
Web/LAN/Modem Authorizer®			•	•
USB Station		•	•	•
WebStation			•	•
PDA Cell Phone				•
Audit Trail		•	•	•
Schedule Keys		•	•	•
Master Keys			•	•
Expire Keys		•	•	•
Lost Keys			•	•
Multiple Key Mode and Delay			•	•
Email Notifications			•	•
Hierarchy of Administrators				•
Grouping of Locks and People			•	•
Grouping of Access Permissions			•	•
User Keys Download Locks		•	•	•
User Keys Program Locks				•
Missions				•
Multiple Time Zones				•
Shared Locks				•